



# GCS900

## 3D GRADE CONTROL SYSTEM FOR ATI LEVEL BEST PD SERIES GRADING BOXES



ATI Level Best PD Series Grading Box and Trimble GCS900 Grade Control System with Single GNSS

### AFFORDABLE, ACCURATE GRADE CONTROL FOR SKID-STEER LOADERS

Small and large contractors alike can benefit from the easy-to-use, rugged and flexible Trimble® GCS900 3D Grade Control System for Level Best PD Series Grading Boxes on compact track loaders and skid-steer loaders. Perform rough and finish grading operations quickly, safely and accurately with 3D grade control from Trimble.

#### Performance and Accuracy

The Trimble GCS900 Grade Control System allows for maximum utilization of the Level Best grading box. Whether grading simple pads and slopes or complex design surfaces and alignments, the operator can get to grade at high speeds, without sacrificing grade control accuracy or quality of the final graded surface. The system is easy-to-install and easy-to-use so operators can get up to speed quickly and machine downtime is minimized.

#### Stay Connected

Using digital 3D constructable models prepared in Trimble's Business Center – HCE office software, the Trimble GCS900 system is ideal for footpaths, parking lots, sidewalks and other complex surfaces. Part of the portfolio of Trimble Connected Site® solutions, the system includes the ability to wirelessly sync files to the machine, track assets and site productivity, and receive remote support or training.

## TARGET

### CUSTOMERS AND APPLICATIONS

#### Small Contractors

- ▶ Increase business opportunity and market share by increasing the range of projects you can bid and work on
- ▶ Work faster and more effectively on complex projects that are ideal for digital designs and 3D machine control

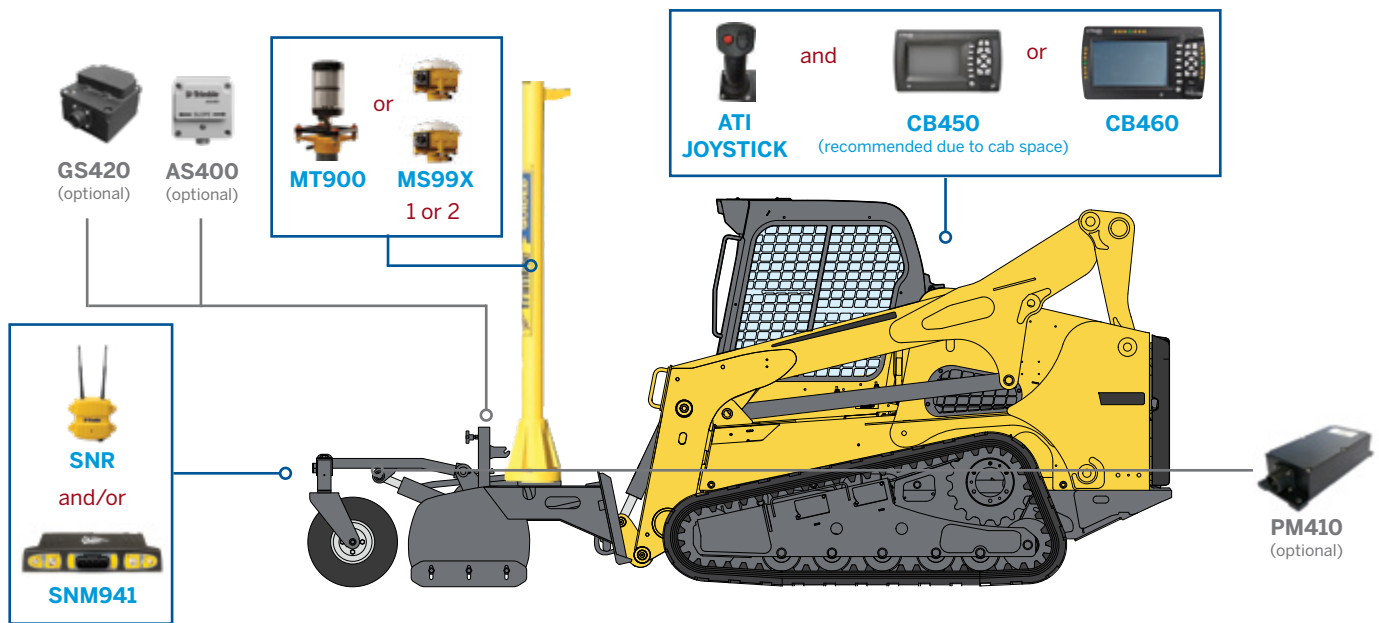
#### Large Contractors

- ▶ Use 3D machine control to complete the finish phase of projects more affordably and accurately with your skid-steer loaders
- ▶ Adds value to your GCS900-equipped fleet
- ▶ Be more competitive on smaller projects by increasing productivity

# GCS900 3D GRADE CONTROL SYSTEM FOR ATI LEVEL BEST PD SERIES GRADING BOXES

## KEY SYSTEM FEATURES

- ▶ CB450 or CB460 Control Box full-color graphical control box with internal lightbars
- ▶ On-machine software available in 25 languages, configurable on-the-fly, with a button press
- ▶ Integrated Trimble MS99X GNSS Smart Antenna, blade mountable, quick release mounting for removal
- ▶ Indicate or automatic blade control configurations
- ▶ Dual GNSS blade mounted solution provides the most versatile grading solution on the market
- ▶ Universal Total Station with Cross-Slope configuration provides the most precise grading solution as well as the ability to work in GPS-limited environments such as indoors and under canopy
- ▶ On-machine components are portable between machine types, without software or firmware upgrades
- ▶ On-machine components are modular and can be added or removed depending on the application
- ▶ Multiple system configurations for fine and finished grade applications, – Dual GNSS, GNSS with Cross-Slope, and Universal Total Station with Cross-Slope based solutions
- ▶ Global solutions for synchronization of data between machine and office
- ▶ Integrated control on select machine manufacturer’s joysticks
- ▶ Full manual and automatic control through the ATI Level Best joystick



ATI Level Best PD Series Grading Box System Configuration

TRIMBLE CIVIL ENGINEERING AND CONSTRUCTION  
10368 Westmoor Drive  
Westminster CO 80021 USA  
800-361-1249 (Toll Free)  
+1-937-245-5154 Phone  
construction\_news@trimble.com